

**LED Bi-Directional Elevated Light  
DTS-RB/E DTS-THRE/E**



- RB/E Runway Edge
- THRE/E Runway Threshold and Runway End

## LED Bi-Directional Elevated Light DTS-RB/E DTS-THRE/E



### FEATURES

- Modulized electrical driver and LED assembly for simplicity of maintenance
- Efficient and stable optical output, suitable for operation with 6.6A and 2.2A CCRs
- Unique optical design, ensuring luminous efficacy and color consistency
- Strict thermal management solution increasing life expectancy
- Highly conductive aluminium mechanical components with special treatment, suitable for various weather conditions
- Precision-cast frangible coupling gives stable and reliable performance
- Built-in surge protection
- Optional omnidirectional beam
- Optional Fail Open System

## LED Bi-Directional Elevated Light DTS-RB/E DTS-THRE/E

### TECHNICAL DATA



#### MECHANICAL

- Height  
319mm
- Flange Mounting Holes  
3 x Ø12



#### ENVIROMENTAL

- Operating Temperature  
-55°C~+55°C
- Storage Temperature  
-55°C~+85°C
- Protection Class  
IP65
- Humidity  
0~100%



#### ELECTRICAL

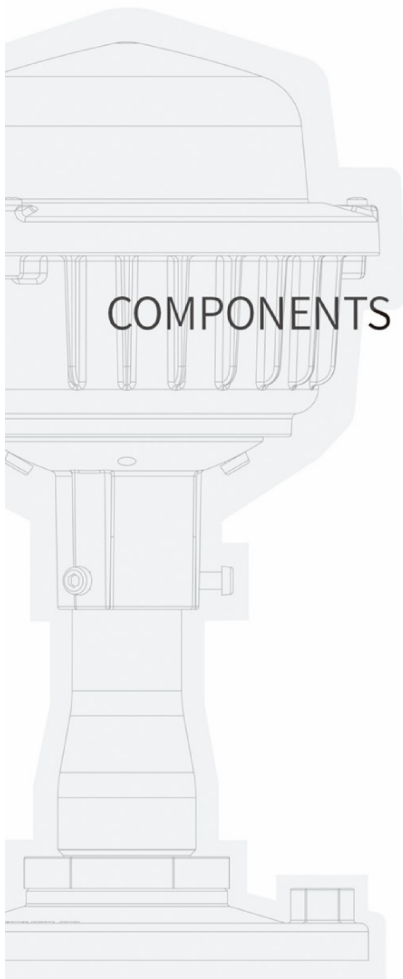
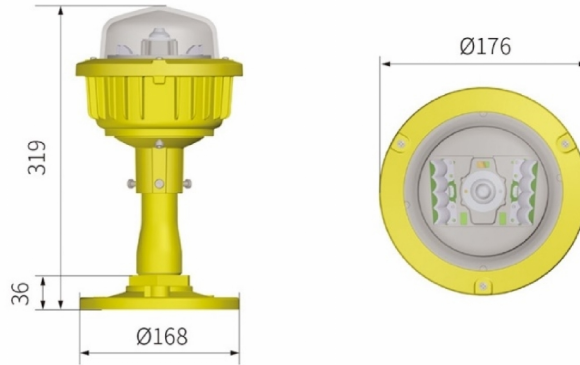
- Connection  
FAA L-823
- Power Input  
6.6A/2.2A
- Power Factor  
>0.9
- Power Consumption
 

Runway Edge-WW/WY	34VA	Runway Threshold and Runway End	30VA
Runway Edge-WR/YR	28VA		
- Fail Open  
Reaction on output open circuit and output short circuit
- Emission  
IEC 61000-6-4
- Immunity  
IEC 61000-6-2
- Service Life  
LED useful lamp life > 80000h

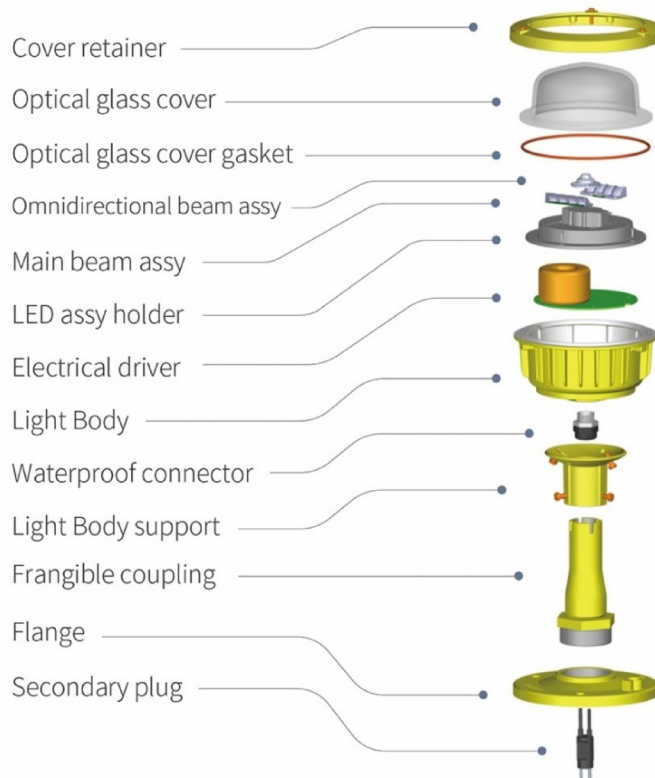


## LED Bi-Directional Elevated Light DTS-RB/E DTS-THRE/E

### DIMENSIONS



### COMPONENTS



### ACCESSORIES

- Flange (168mm OD)
- Flange (300mm OD)
- 2-1 inches 11 TPI frangible coupling
- L-823 receptacle

### PACKAGING



Dimensions: 240mm (L) \* 240mm (W) \* 240mm (H)

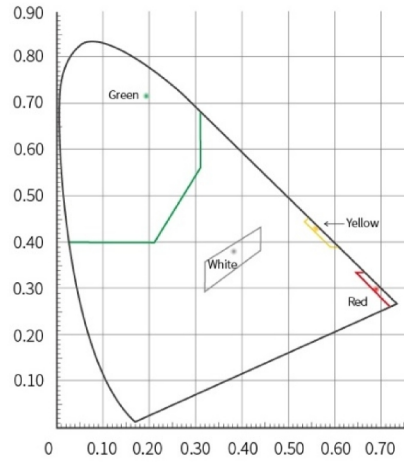
Net Weight: 4kg    Gross Weight: 4.2kg

\* Packaging is subject to upgradation. Above data are reference values.

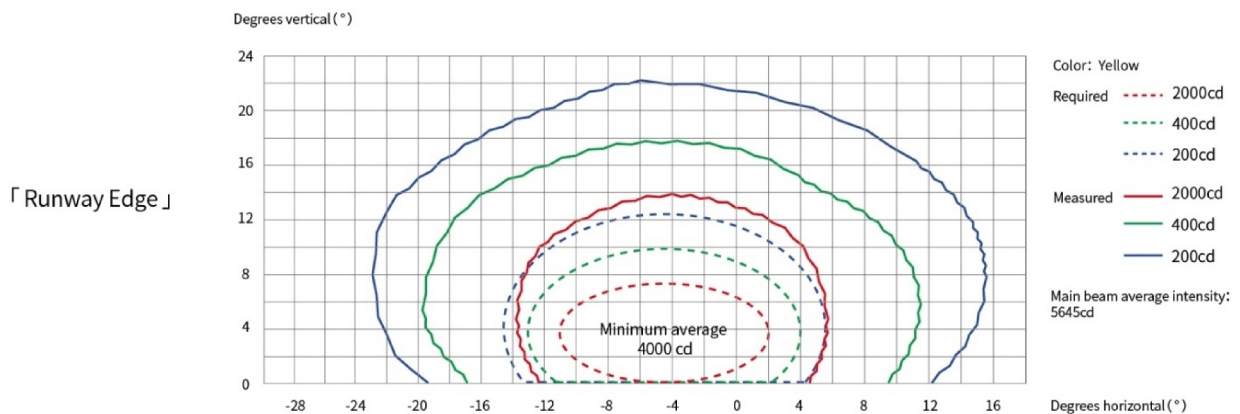
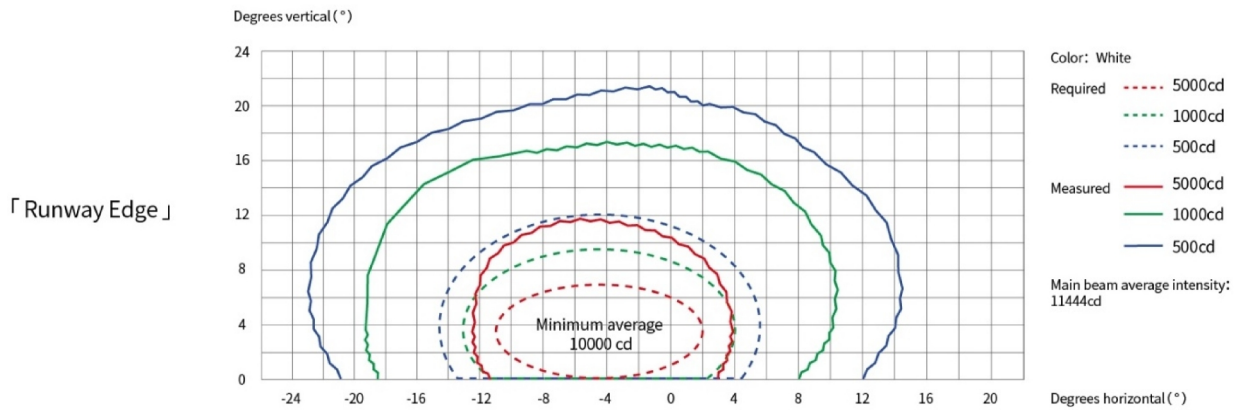


# LED Bi-Directional Elevated Light DTS-RB/E DTS-THRE/E

## CHROMATICITY

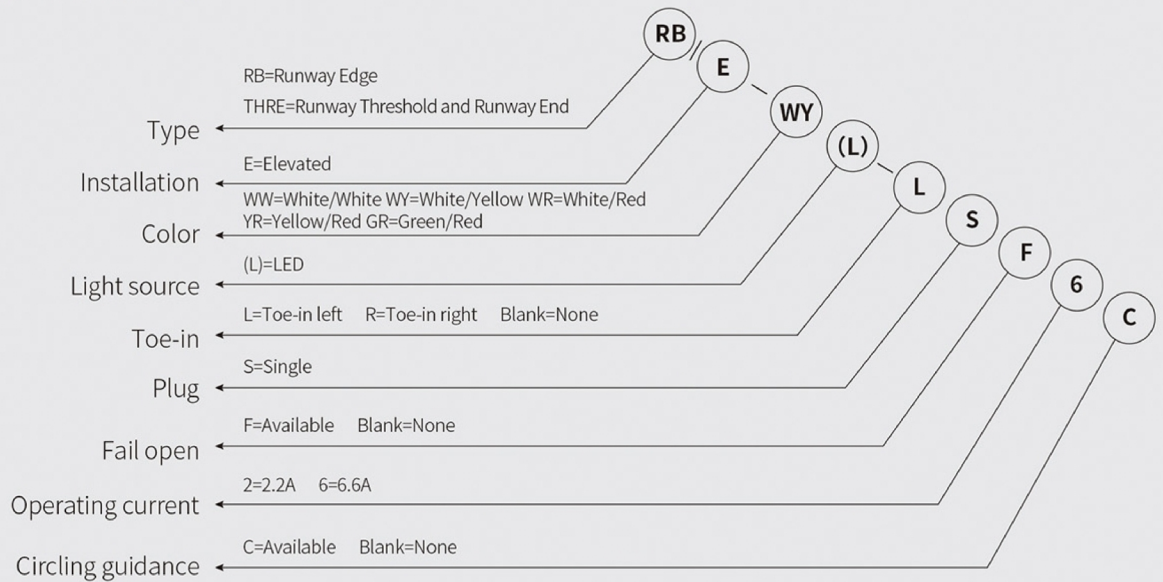


## PHOTOMETRICS



## LED Bi-Directional Elevated Light DTS-RB/E DTS-THRE/E

### ORDERING CODES



★ Accessories should be ordered separately