

als



## PSA 12" 4 Hole to IEC 8" Adaptor Ring

This accessory is a useful adaptor ring to be used in conjunction with a 12" mounting base to allow 8" light fittings to be installed with a four-hole PSA base.

ALS has developed its own mounting bases that are suitable for all our LED light fittings. They are designed to universal IEC standards so any compliant fitting can be installed using these tough and durable steel bases.

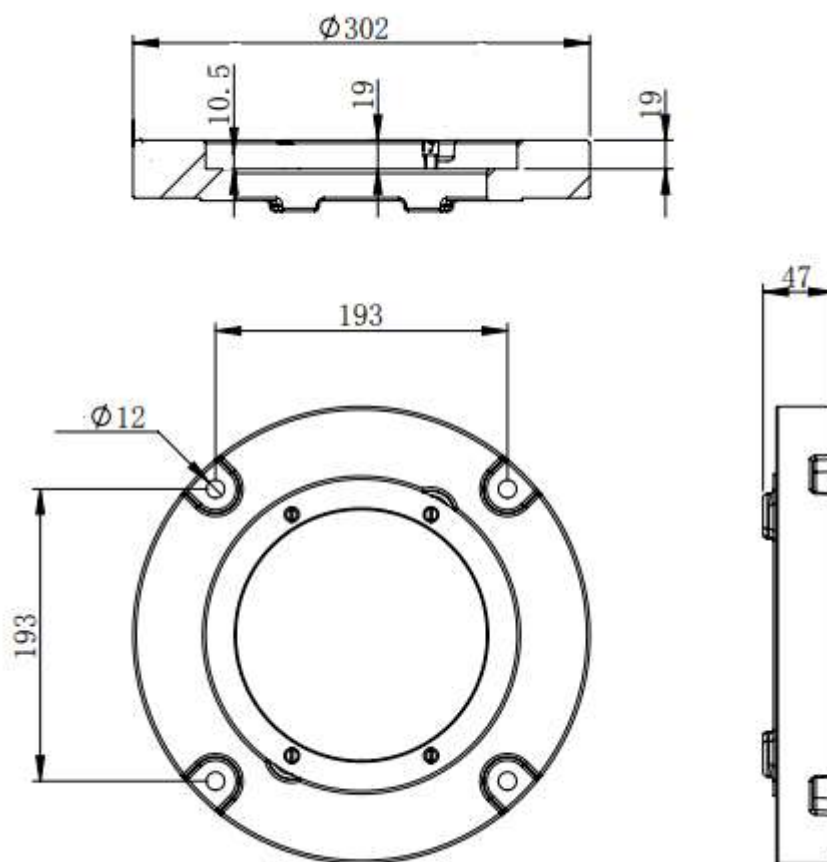




## Features

- PSA 12" 4 hole to IEC 8" adaptor ring (SR13/IEC)
- IEC Compliant design.
- High Pressure Aluminium casting
- Anodized surface for protection.
- Perfect machining to complement ALS fittings.

## Drawing



## Optional Accessory

- PSA 12" 4 hole to IEC 8" adaptor ring (SR13/IEC)
- IEC Compliant design.
- High Pressure Aluminium casting
- Anodized surface for protection.
- Perfect machining to complement ALS fittings.