

## HAPI Helicopter Approach Path Indicator

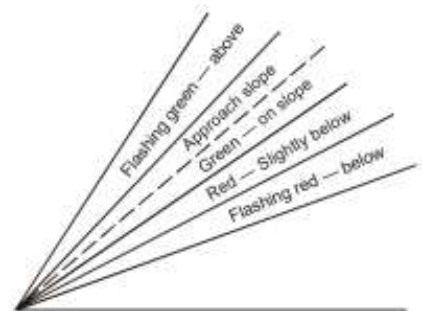
### LED HAPI – 50W

The ALS Helicopter Approach Path Indicator is a unit showing four signals. Indicators show “above slope”, “on slope”, “slightly below” and “below” signal for the pilot.



The HAPI unit produces a series of coloured signals based on the approach angle of the Helicopter. It will be Flashing Green or Red or Solid Green and Red depending on the angle.

Sector	Format
Above	Flashing green
On slope	Green
Slightly below	Red
Below	Flashing red





## Compliance

- International Civil Aviation Organization, Aerodromes, Annex 14, Volume 2, Fourth Edition, July 2013
- Photometric - (ICAO) Figure 5-11 and 5-15
- Chromaticity - Section 5.3.5.30

## Features

- Designed and built with simplicity and ease of maintenance in mind
- LED technology
- Lightweight, low-energy and environment friendly lighting fitting
- Extensive use of aluminium alloys reduces fitting weight and eases handling in the field
- Housing powder-coated aluminium, RAL 1004 (aviation yellow)
- Anti-glare visor powder-coated aluminium, RAL 9005 (gloss black)
- Diffuser hardened front glass for sandblast protection
- Cable gland nickel-plated brass
- Fastening system powder-coated aluminium, RAL 1004 (aviation yellow)


## Technical Characteristics

- Power consumption max. 50W
- 48 LED's (24 Red and 24 x White)
- Power supply 110/230V AC from mains


Connecting to a 110/230V AC supply:

- The 110/230V AC LED APAPI is supplied with a 3-core (3 x 1.0 mm<sup>2</sup>) 1 m flying lead
- The overall diameter of the cable is nominally 7.5 mm.
- Connect the free ends of the cable to the proper voltage source

## Applications and Codes

Type	Code	Image
HAPI Code	AL 117-48-GR/RE	

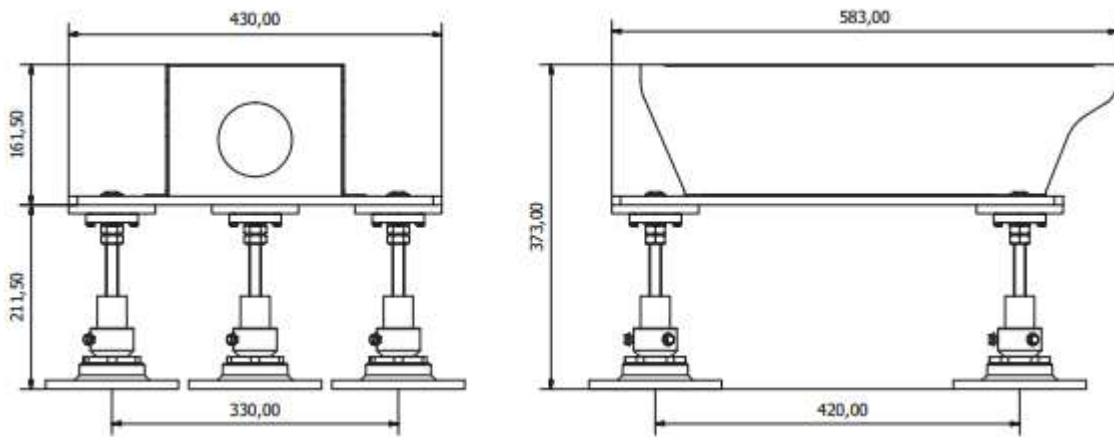


Clinometer Accessory	AL-115-AX	
----------------------	-----------	---

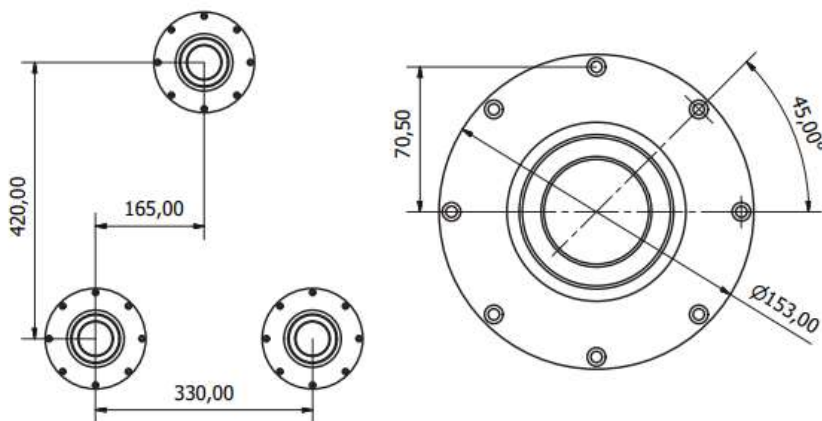
## Dimensions

- Length: 583mm
- Width: 430mm
- Height: 373mm
- Weight 19Kg

## Line Drawing



## Mounting Dimensions





## Product Details

