

# als



## Heliport Glide Path Indicator

The ALS Glide Path Indicator (GPI) provides vital information to the pilot for the night landing of a helicopter in severe operating conditions where the use of standard fixed equipment is not possible.

The GPI mainly consists of a compact projector, that emits a trichromatic light beam on the vertical plane for guidance.





## Compliance

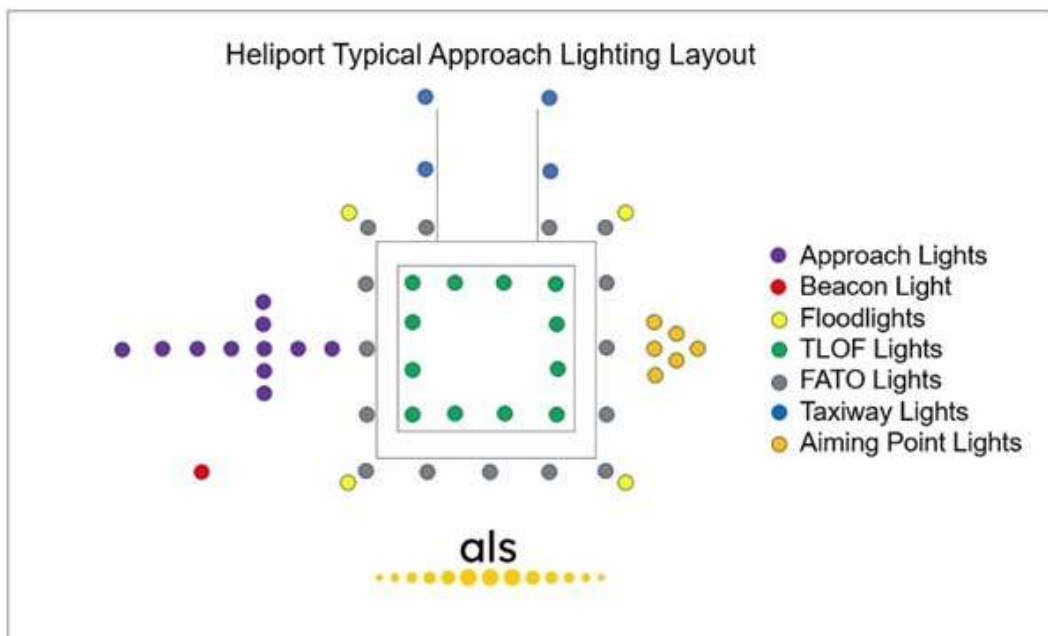


- IEC TS 61827 Electrical installations for lighting and beaconing aerodromes

## Features

- CE Certified.
- Corrosion resistant anodized Aluminium-housing.
- Designed and built with simplicity and ease of maintenance in mind.
- High power LED technology. Expected life of LEDs > 100.000h. Will not require any replacement for the whole life of the product.
- Lightweight, low-energy and environment friendly.
- Extensive use of aluminium alloys reduces fitting weight and eases handling in the field.

## Lighting Layout





## Characteristics

**Housing:** Powder-coated aluminium, RAL 1004 (Aviation yellow)

**Anti glare visor:** Powder-coated aluminium, RAL 1004 (Black)

**Disperser:** 5mm thick clear glass

**Cable gland:** Nickel-plated brass

**Mounting system:** Powder-coated aluminium, RAL 1004

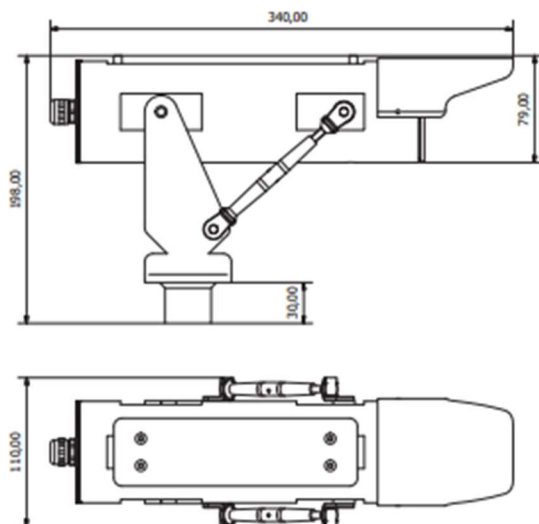
**Operating temperature:** -55C to +55C

**Protection level:** IP66

**Power supply:** 90-230V, 50/60Hz

**Power Consumption:** 5W

## Drawing



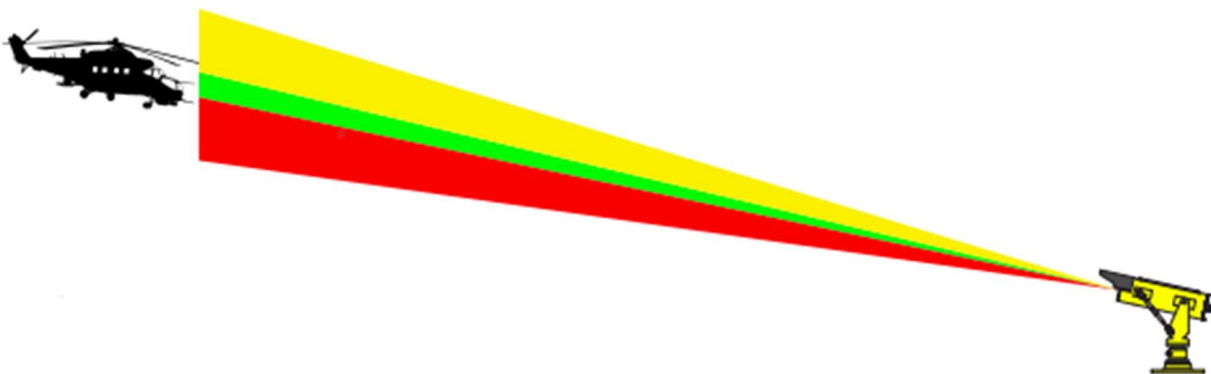


**Dimensions:**

340 x 110 x 200mm

**Photometrics**

Light colour	Yellow	Green	Red
Vertical elevation angle	5°	2°	5°
Horizontal Beam angle	28°		
Light intensity	550 cd	310cd	110 cd



# als



## Mounting Options



## On Base Plate



## On 160mm diameter Shallow Base



## On a Standard 8" Shallow Base