

## Elevated Heliport Light Fittings

Elevated Heliport lighting fittings are suitable for lighting and the beaconing of aerodromes on Approach, FATO, TLOF and Taxiway lighting areas.

They are designed specifically to signal the landing point on a Heliport.

Strong omnidirectional approach lights are made with white LED's creating a straight line along the preferred direction of approach on ground level heliports.

The ALS LED heliport lighting fittings are compliant to ICAO Annex 14 Volume II for heliports. 90-230VAC or 48VDC fully dimmable using the AL-076-AX controller.

Elevated lights can be used in several applications including Heliports, Helipads, Off-shore Platforms, Approach, TLOF, FATO, Alignment, Taxiway on base plate with frangible coupling to ICAO and FAA specifications.



The power supply is made from the control panel, the board that supports the dimming function of the beacons. Optionally it can be powered at 90-230V, 50/60Hz but the light fixtures no longer have the dimming function.



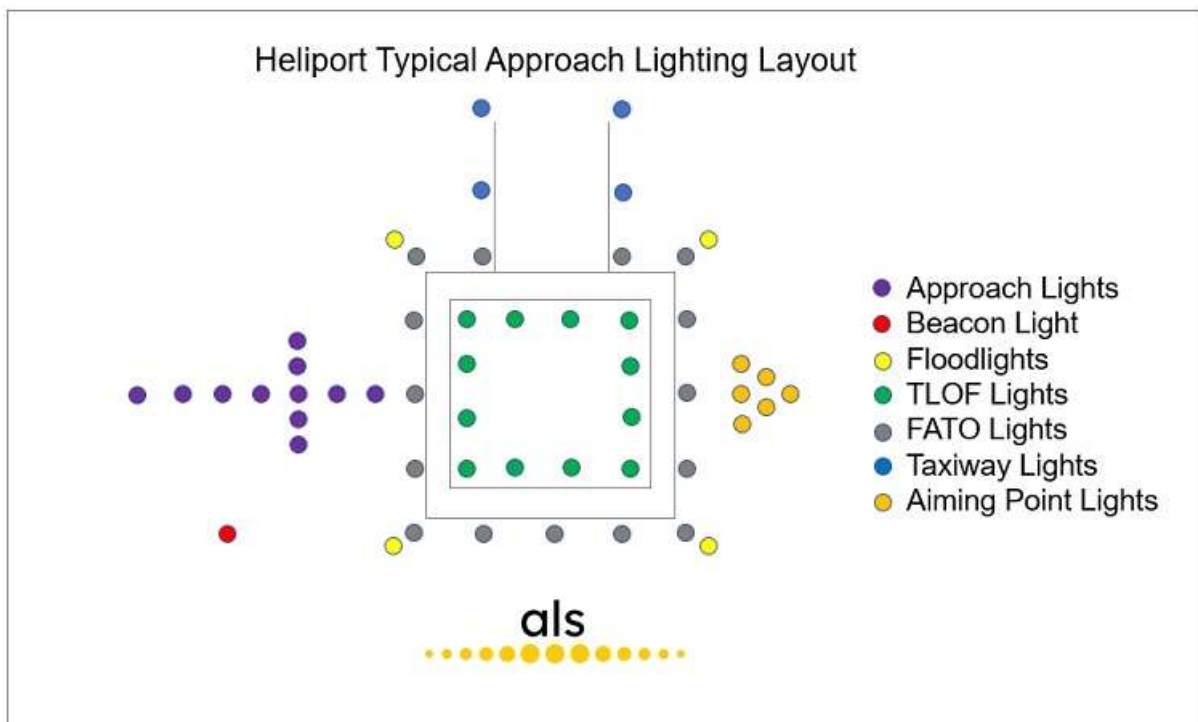
## Compliance

- ICAO Annex 14 Vol 2. Heliports.
- ICAO Annex 14 Vol 1. Aerodrome Design and Operation.
- ICAO DOC 9261 Heliport Manual.
- ICAO DOC 9157 Aerodrome Design Manual Part 4 (Visual Aids).
- IEC TS 61827 Electrical installations for lighting and beaconing of aerodromes.

## Features

- Protection Degree: IP66 certified
- Expected Life of LEDs: > 100.000 h. Will not require any replacement for the whole life of the product.
- All metal parts can withstand corrosive environments.
- Diffuser made of clear Polycarbonate.
- CE Certified.
- Compact and low weight.
- Optimized for integration in elevated Helipads.
- Corrosion resistant anodized Aluminium-housing NVG Option available.

## Lighting Layout





## Technical Characteristics

- Power Supply: 90-230V, 50/60Hz Fixed Brilliance
- 48Vdc dimmable at 10%, 30% and 100% using AL076-AX controller
- Light Intensity and distribution in accordance with ICAO Annex 14 Vol. 2 Para. 5.2.3.5
- Power Consumption FATO: 10W TLOF: 5W
- Operating Temperature between -40° and + 55°
- Protection Class: IP 66

## Applications and Codes

Type	Code
HELY ELEVATED APPROACH	AL-056-08WH-White
HELY ELEVATED FATO	AL-057-03-WH-White
HELY ELEVATED TLOF	AL-058-03-GR-Green
HELY ELEVATED TAXIWAY	AL-010-03-BL-Blue

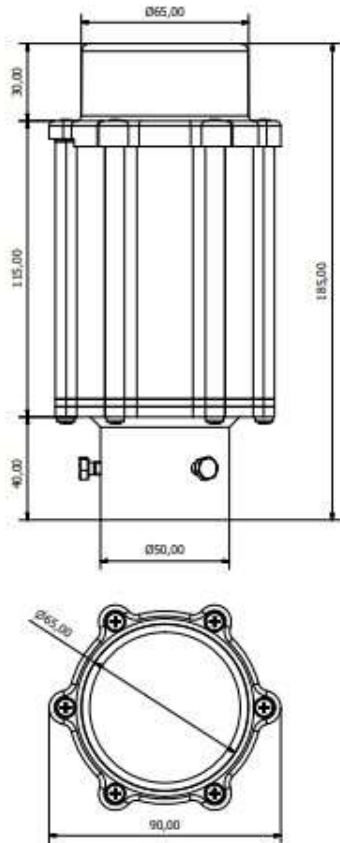
## Dimensions

- Diameter: 65mm
- Height: 185mm
- Weight: 1kg





Drawing





## Accessories

Description	Code	Image
Φ32mm Coupling Tube	AL0100-AX	
Frangible Coupling	AL-101-AX	
Φ260mm Base Plate	AL-102-AX	
Mounting flange	AL103-AX	
IP68 Electrical Junction Box	AL107-AX	