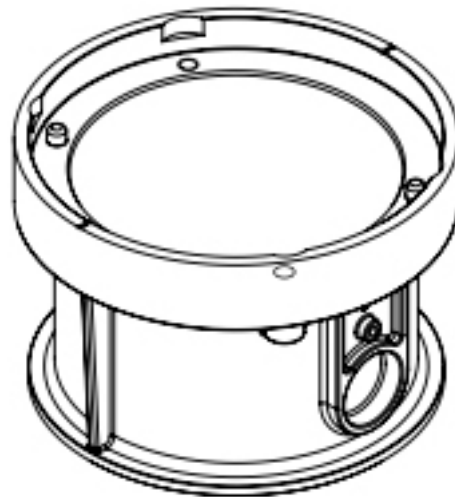
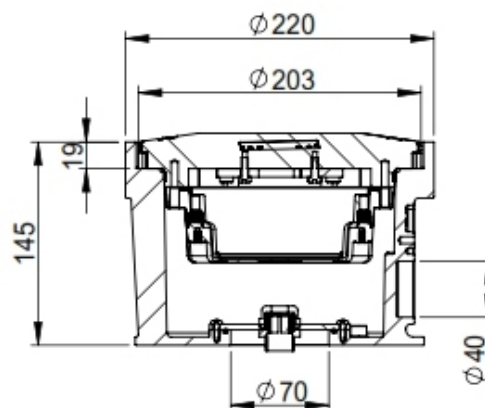


## Shallow Base IES 8 Inch DTS-BASE8



### Specification

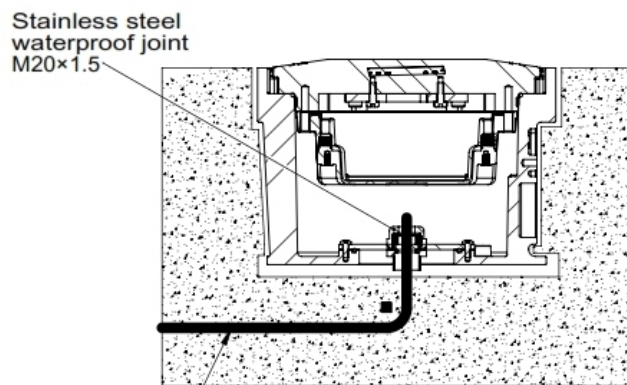
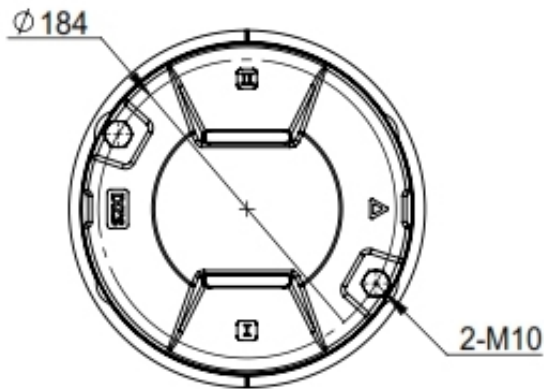
- Dimension : 220 x 145 mm
- Weight : 3,0 Kg
- Wiring : bottom entry and side entry



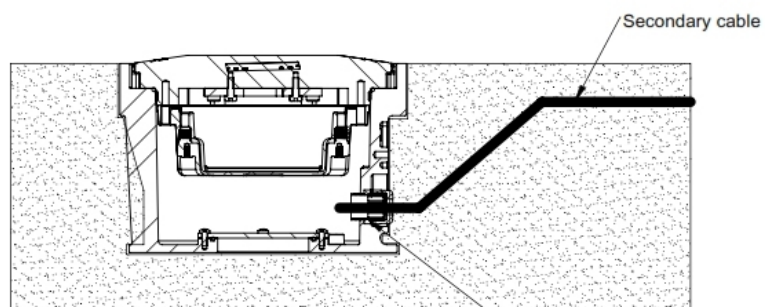
als

AIRFIELD LIGHTING  
SYSTEMS UK LTD

# Shallow Base IES 8 Inch DTS-BASE8



Secondary cable



Stainless steel  
waterproof joint  
M20x1.5