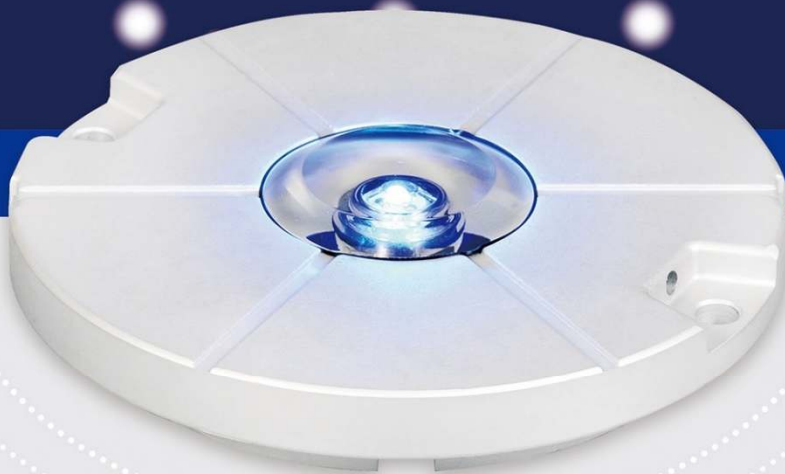


## DTS – 8 Inch LED Inset Lights Omni-Directional

# AIRFIELD GROUND LIGHTING SOLUTIONS



### 8" LED Inset Lights

- TE/IN-B Taxiway Edge
- TE/IN-Y Aircraft Stand Manoeuvring Guidance

## DTS – 8 Inch LED Inset Lights Omni-Directional



### FEATURES

- Low protrusion of 6.3mm above ground level
- Modulized electrical driver and LED assembly for simplicity of maintenance
- Efficient and stable optical output, suitable for operation with 6.6A and 2.2A CCRs
- Unique optical design, ensuring luminous efficacy and color consistency
- Strict thermal management solution increasing life expectancy
- Highly conductive aluminium mechanical components with special treatment, suitable for various weather conditions
- Built-in surge protection
- Optional Fail Open System



# DTS – 8 Inch LED Inset Lights Omni-Directional

## TECHNICAL DATA



### MECHANICAL

- |                              |                             |                                     |
|------------------------------|-----------------------------|-------------------------------------|
| • Diameter<br>203mm          | • Flange Thickness<br>19mm  | • Protrusion Above Ground<br>≤6.3mm |
| • Depth Below Flange<br>67mm | • Mounting<br>2 x M10 bolts | • Static Load Resistance<br>≥18t    |



### ENVIRONMENTAL

- |  |                                      |
|--|--------------------------------------|
| • Operating Temperature<br>-55°C~+55°C | • Storage Temperature<br>-55°C~+85°C |
| • Protection Class<br>IP68             | • Humidity<br>0~100%                 |



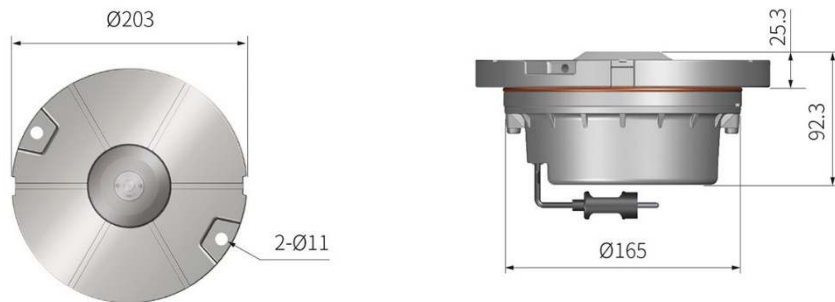
### ELECTRICAL

- |   |                                    |                             |  |
|---|------------------------------------|-----------------------------|--|
| • Connection<br>FAA L-823   | • Rated Input Current<br>6.6A/2.2A | • Power Factor<br>> 0.9     | • Power Consumption<br>5.5VA                   |
| • Fail Open<br>Reaction on output open circuit and output short circuit | • Emission<br>IEC 61000-6-4        | • Immunity<br>IEC 61000-6-2 | • Service Life<br>LED useful lamp life >80000h |

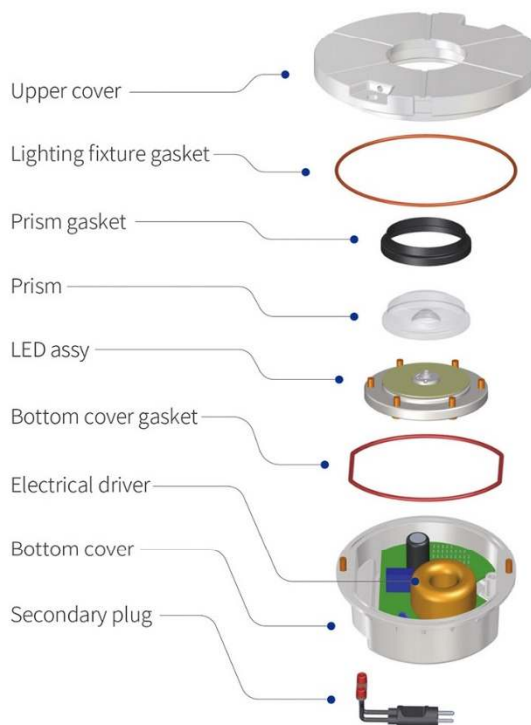
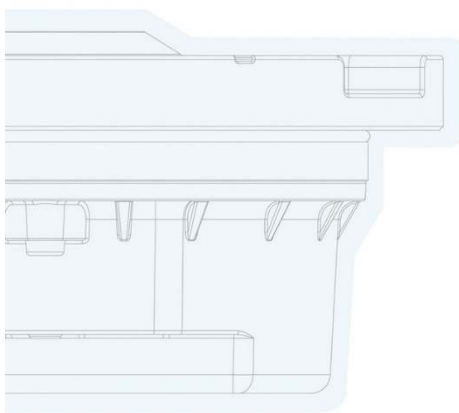


# DTS – 8 Inch LED Inset Lights Omni-Directional

## DIMENSIONS



## COMPONENTS



## ACCESSORIES

- 8 inches shallow base assy (bottom entry/side entry)
- 12 inches shallow base assy (bottom entry/side entry)
- 12 inches deep base assy
- 12-8 adapter ring assy
- L-823 receptacle
- 8 inches light fixture handle

## PACKAGING



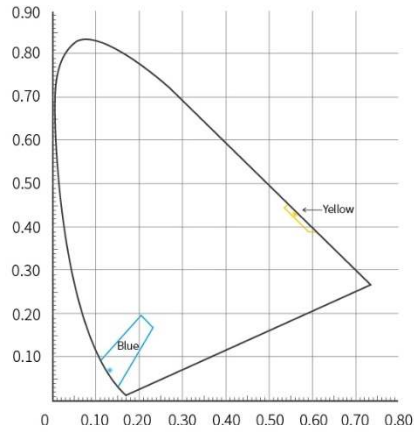
Dimensions : 253mm (L) x 223mm (W) x 107mm (H)

Net Weight: 3.5kg Gross Weight: 3.7kg

\* Packaging is subject to upgradation. Above data are reference values.

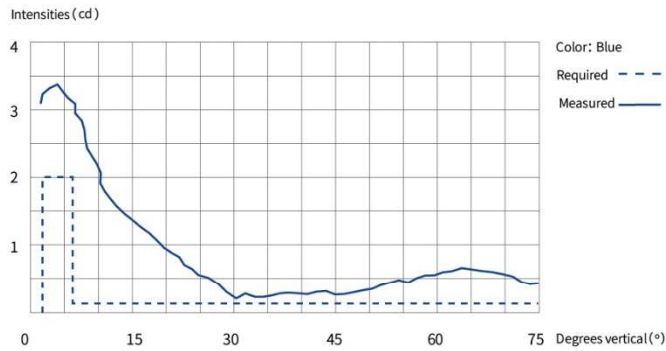
# DTS – 8 Inch LED Inset Lights Omni-Directional

## CHROMATICITY

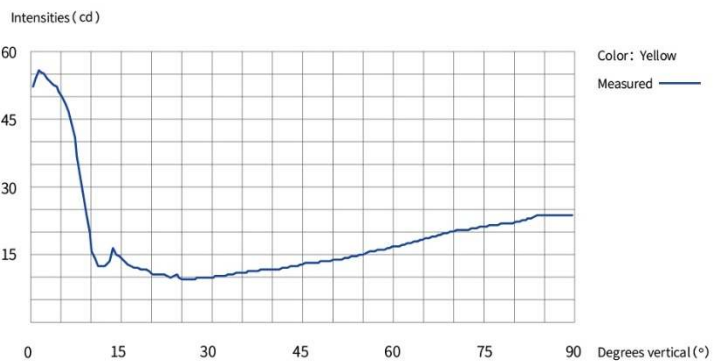


## PHOTOMETRICS

「 Taxiway Edge 」



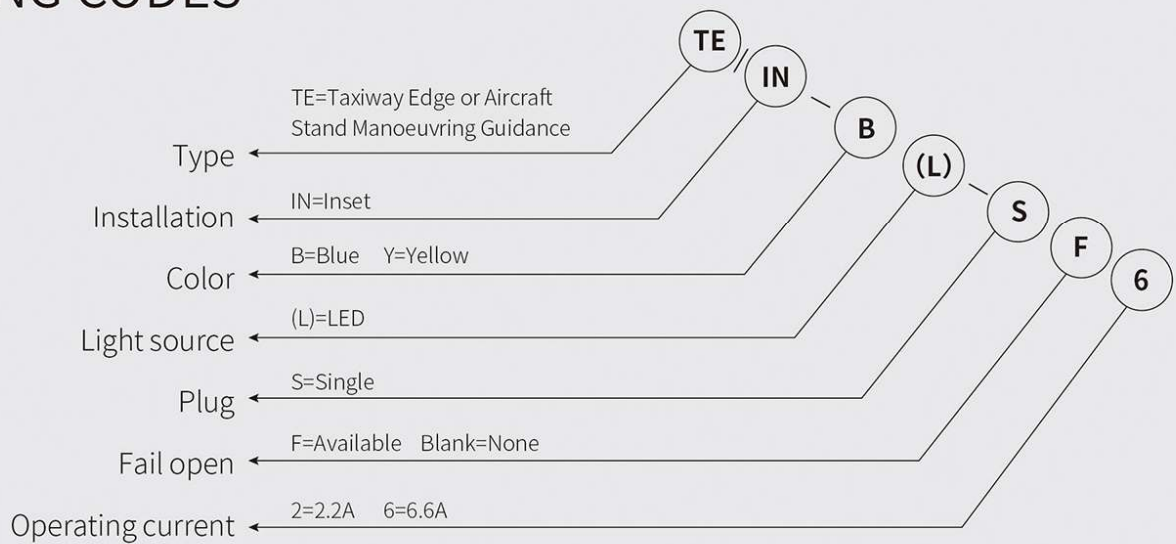
「 Aircraft Stand  
 Manoeuvring  
 Guidance 」





## DTS – 8 Inch LED Inset Lights Omni-Directional

### ORDERING CODES



★ Accessories should be ordered separately