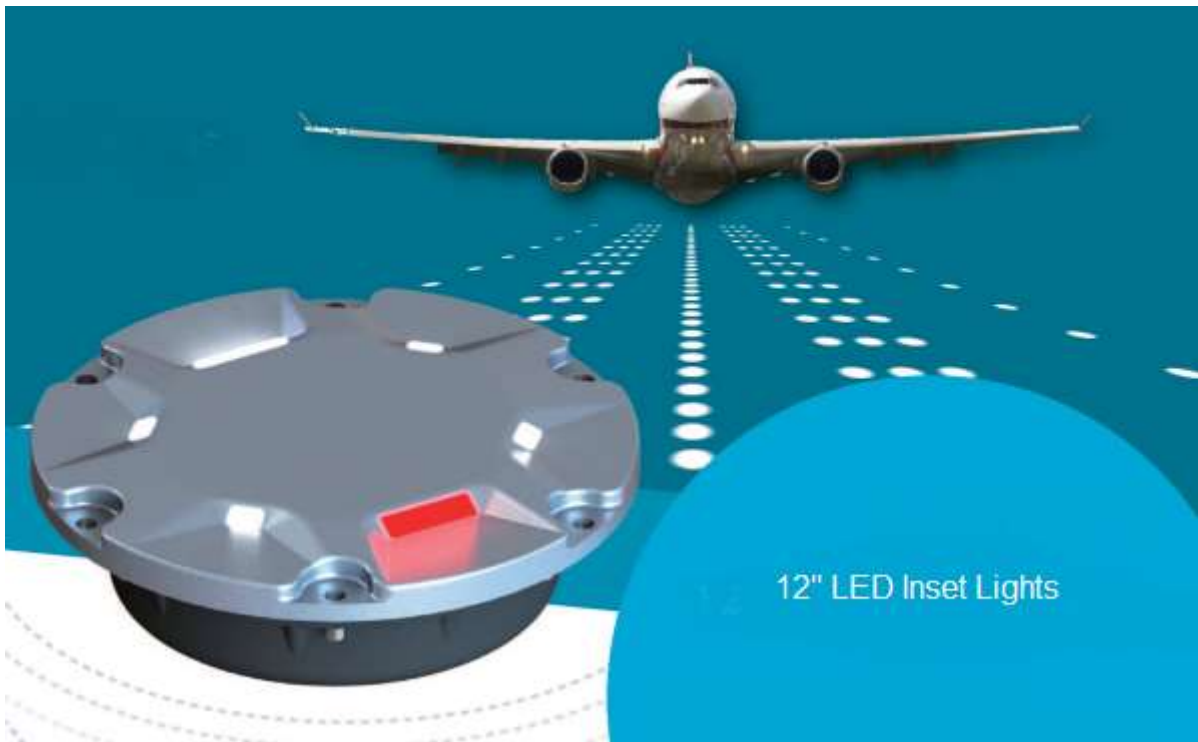


als

AIRFIELD LIGHTING
SYSTEMS UK LTD

ALS DTS Inset Runway Edge with Circular Guidance Lights



Airfield Lighting Systems UK Limited
Aviation House, Russel Gardens, Wickford, Essex, SS11 8BF
www.alsukltd.co.uk Tel 01702 547866 sales@alsukltd.co.uk

A brand new 12" LED inset light range with circular guidance configurations which is particularly useful in runway edge lighting. There are 14 different models to choose from (see the table below).

They operate on traditional 6.6A airfield circuits and use a low profile design that is also high impact resistant. Four prisms provide the Omni-directional component.

Features

- Low protrusion of less than 6.3mm above ground level.
- Modalized electrical driver and LED assembly for ease of maintenance.
- Efficient and stable optical output, suitable for operation with 6.6A and 2.2A CCRs.
- Unique optical design, ensuring luminous efficacy and colour consistency.
- At any brightness level, the intensity of circling guidance beam is no less than 50cd.
- Strict thermal management solution increasing life expectancy.
- Highly conductive aluminium mechanical components with special treatment suitable for various weather conditions.
- Built-in surge protection.
- Optional omni-directional beam for circular guidance.
- Optional Fail Open System.



ELECTRICAL

- Connection FAA L-823
- Emission IEC 6100-6-4
- Immunity IEC 6100-6-2
- Service Life >80,000 hours



ENVIRONMENTAL

- Operating Temp -55°C to +55°C
- IP68
- Humidity 0-100%
- Storage Temp -55°C to +85°C



MECHANICAL

- 6 x M10 Bolts
- Static Load Resistance >35t
- Dynamic Load Resistance 40J
- Net Weight 6.9Kg

Compliance



ICAO Annex 14 Volume 1	IEC TS 61827
FAA AC 150/5345-46	FAA Engineering Brief No. 67
EASA CS-ADR-DSN	NATO STANAG 3316
CAAC AC-137-CA-2017-03	CAAC AC-137-CA-2015-03

Components



Fixtures in the Range

This manual covers the following 12-inch fixtures:

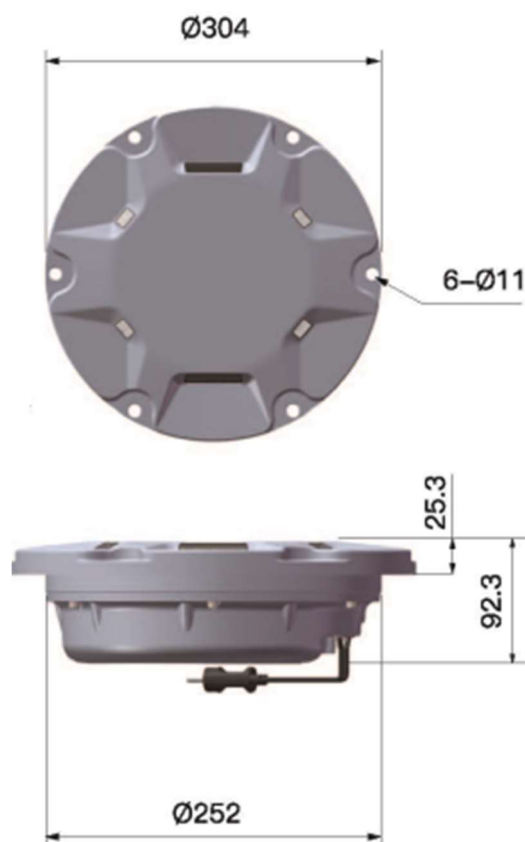
Light Fixture	Ordering Code	Optical Toe-in	Colour	Sketch
Runway Edge Light (width of runway is 45m)	RB/IN-WW(L) -C	Toe-in 3.5°	White, White	
Runway Edge Light (width of runway is 60m)	RB/IN-WW(L) -C	Toe-in 4.5°	White, White	
Runway Edge Light (width of runway is 45m)	RB/IN-WR(L) -C	Toe-in 3.5°	White, Red	
Runway Edge Light (width of runway is 60m)	RB/IN-WR(L) -C	Toe-in 4.5°	White, Red	
Runway Edge Light (width of runway is 45m)	RB/IN-RW(L) -C	Toe-in 3.5°	Red ,White,	
Runway Edge Light (width of runway is 60m)	RB/IN-RW(L) -C	Toe-in 4.5°	Red ,White,	
Runway Edge Light (width of runway is 45m)	RB/IN-WY(L) -C	Toe-in 3.5°	White, Yellow	
Runway Edge Light (width of runway is 60m)	RB/IN-WY(L) -C	Toe-in 4.5°	White, Yellow	

Runway Edge Light (width of runway is 45m)	RB/IN-YW(L)-C	Toe-in 3.5°	Yellow ,White	
Runway Edge Light (width of runway is 60m)	RB/IN-YW(L)-C	Toe-in 4.5°	Yellow ,White	
Runway Edge Light (width of runway is 45m)	RB/IN-YR(L)-C	Toe-in 3.5°	Yellow, Red	
Runway Edge Light (width of runway is 60m)	RB/IN-YR(L)-C	Toe-in 4.5°	Yellow, Red	
Runway Edge Light (width of runway is 45m)	RB/IN-RY(L)-C	Toe-in 3.5°	Red, Yellow	
Runway Edge Light (width of runway is 60m)	RB/IN-RY(L)-C	Toe-in 4.5°	Red, Yellow	

Power and Power Factor

Light Fixture	Ordering Code	Power	Power Factor
Runway Edge Light	RB/IN-WW(L)-C	65VA	>0.90
Runway Edge Light	RB/IN-WR(L)-C	54VA	>0.90
Runway Edge Light	RB/IN-RW(L)-C	54VA	>0.90
Runway Edge Light	RB/IN-WY(L)-C	62VA	>0.90
Runway Edge Light	RB/IN-YW(L)-C	62VA	>0.90
Runway Edge Light	RB/IN-YR(L)-C	48VA	>0.90
Runway Edge Light	RB/IN-RY(L)-C	48VA	>0.90

Dimensions



For further technical details please see the separate Instruction Manual.