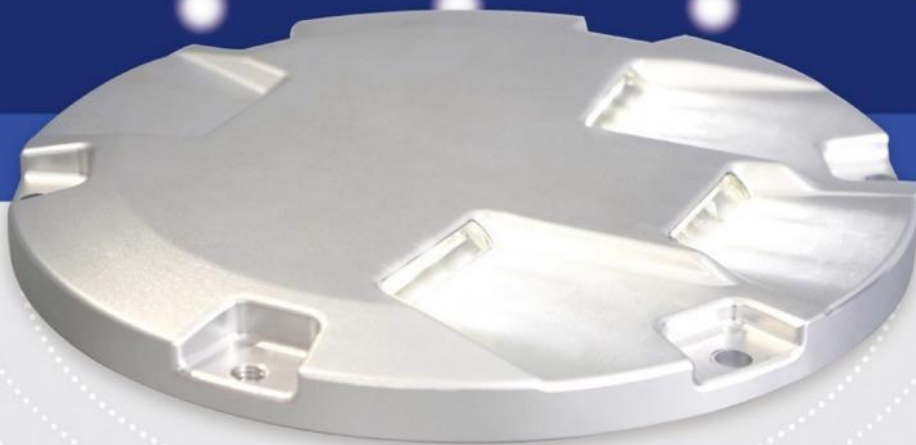


DTS – 12 inch LED Inset Lights

AIRFIELD GROUND LIGHTING SOLUTIONS



12" LED Inset Lights

- AL/IN Approach Centre Line and Crossbar
- AS/IN Approach Side Row • TH/IN Runway Threshold • TW/IN Threshold Wing Bar
- THRE/IN Runway Threshold and Runway End • RB/IN Runway Edge

DTS – 12 inch LED Inset Lights



FEATURES

- Low protrusion of less than 6.3mm above ground level
- Modulized electrical driver and LED assembly for simplicity of maintenance
- Efficient and stable optical output, suitable for operation with 6.6A and 2.2A CCRs
- Unique optical design, ensuring luminous efficacy and color consistency
- Strict thermal management solution increasing life expectancy
- Highly conductive aluminium mechanical components with special treatment, suitable for various weather conditions
- Built-in surge protection
- Optional omnidirectional beam
- Optional Fail Open System



DTS – 12 inch LED Inset Lights

TECHNICAL DATA



MECHANICAL

- | | | | |
|------------------------------|----------------------------|-------------------------------------|----------------------------------|
| • Diameter
304mm | • Flange Thickness
19mm | • Protrusion Above Ground
≤6.3mm | |
| • Depth Below Flange
67mm | • Mounting
6x M10 bolts | • Static Load Resistance
≥35t | • Dynamic Load Resistance
40J |



ENVIRONMENTAL

- | | |
|--|--------------------------------------|
| • Operating Temperature
-55°C~+55°C | • Storage Temperature
-55°C~+85°C |
| • Protection Class
IP68 | • Humidity
0~100% |



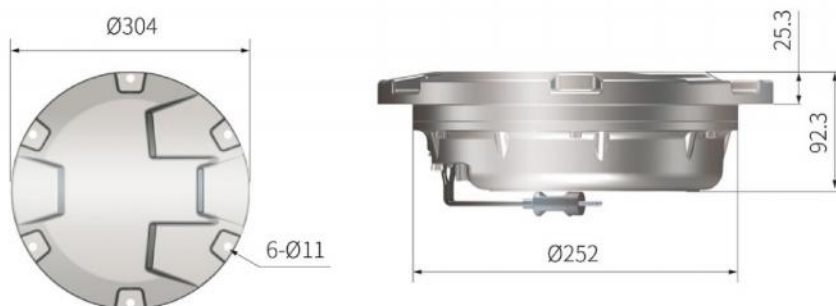
ELECTRICAL

- | | | | |
|---|------------------------------------|-----------------------------|---|
| • Connection
FAA L-823 | • Rated Input Current
6.6A/2.2A | • Power Factor
> 0.9 | |
| • Power Consumption | | | |
| Approach Centre Line and Crossbar | 65VA | Approach Side Row | 29VA |
| Runway Threshold | 34VA | Threshold Wing Bar | 34VA |
| Runway Threshold and Runway End | 39VA | Runway Edge -White/White | 50VA |
| Runway Edge - White/Red | 40VA | Runway Edge -White/Yellow | 45VA |
| Runway Edge - Yellow/Red | 35VA | | |
| • Fail Open
Reaction on output open circuit and output short circuit | • Emission
IEC 61000-6-4 | • Immunity
IEC 61000-6-2 | • Service Life
LED useful lamp life > 80000h |

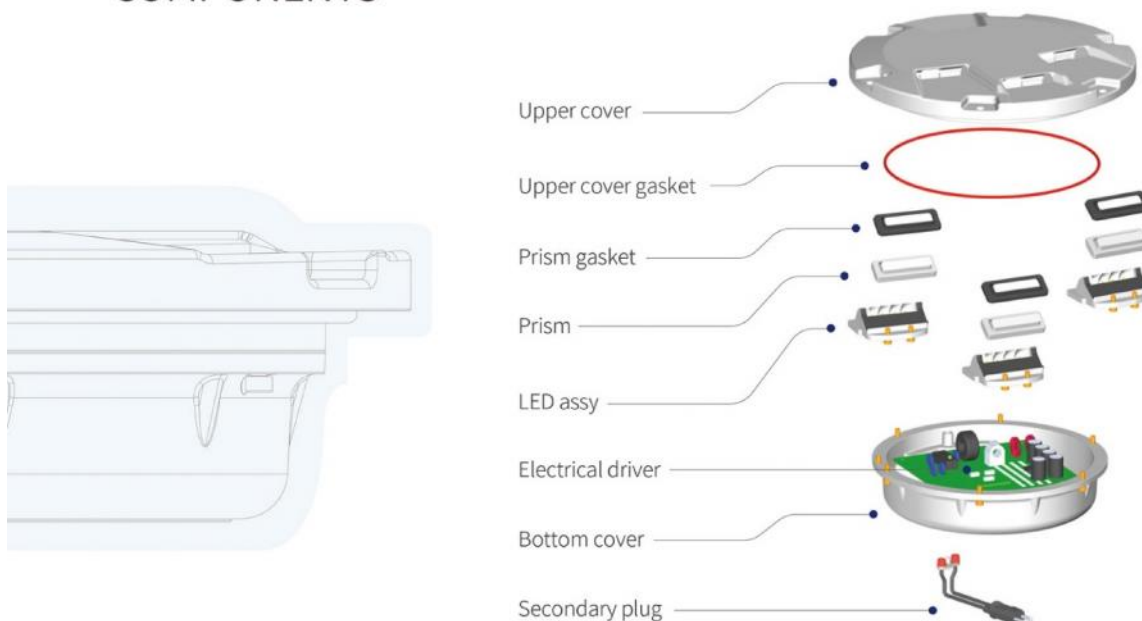


DTS – 12 inch LED Inset Lights

DIMENSIONS



COMPONENTS



ACCESSORIES

- 12 inches shallow base assy (bottom entry/side entry)
- 12 inches deep base assy
- L-823 receptacle
- 12 inches light fixture handle

PACKAGING



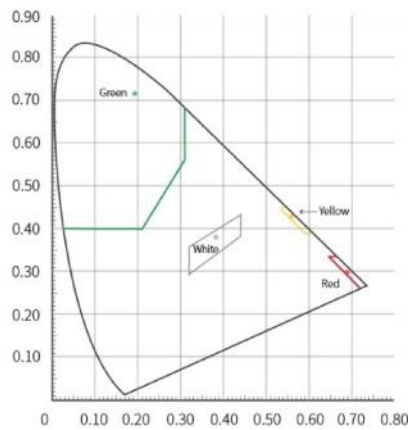
Dimensions : 354mm (L) x324mm (W) x135mm (H)

Net Weight : 6.9kg Gross Weight : 7.2kg

* Packaging is subject to upgradation. Above data are reference values.

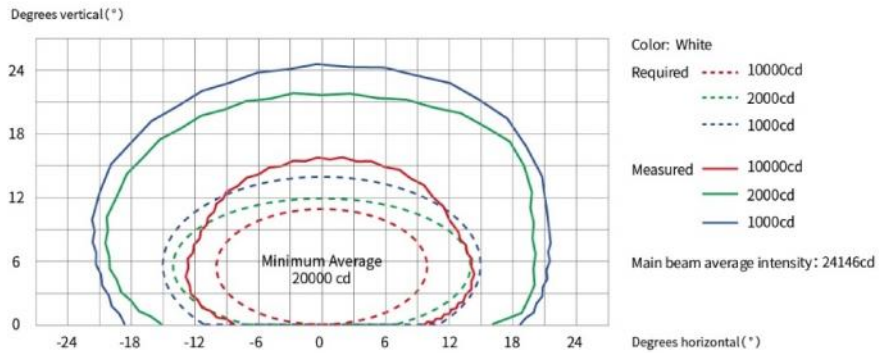
DTS – 12 inch LED Inset Lights

CHROMATICITY

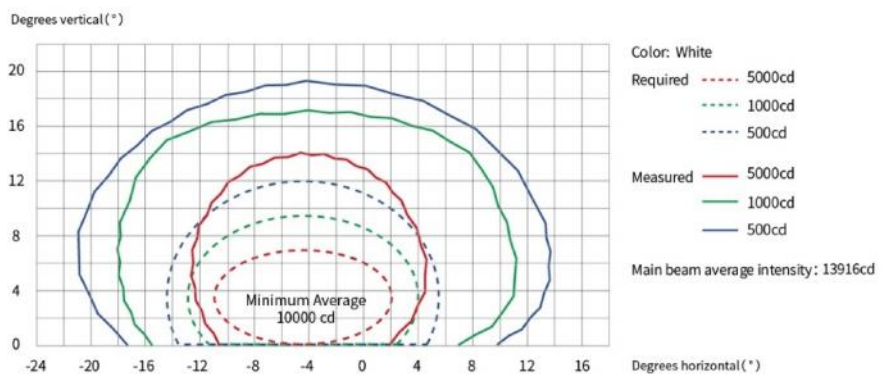


PHOTOMETRICS

「 Approach Center Line and Crossbar 」



「 Runway Edge 」



DTS – 12 inch LED Inset Lights

ORDERING CODES

